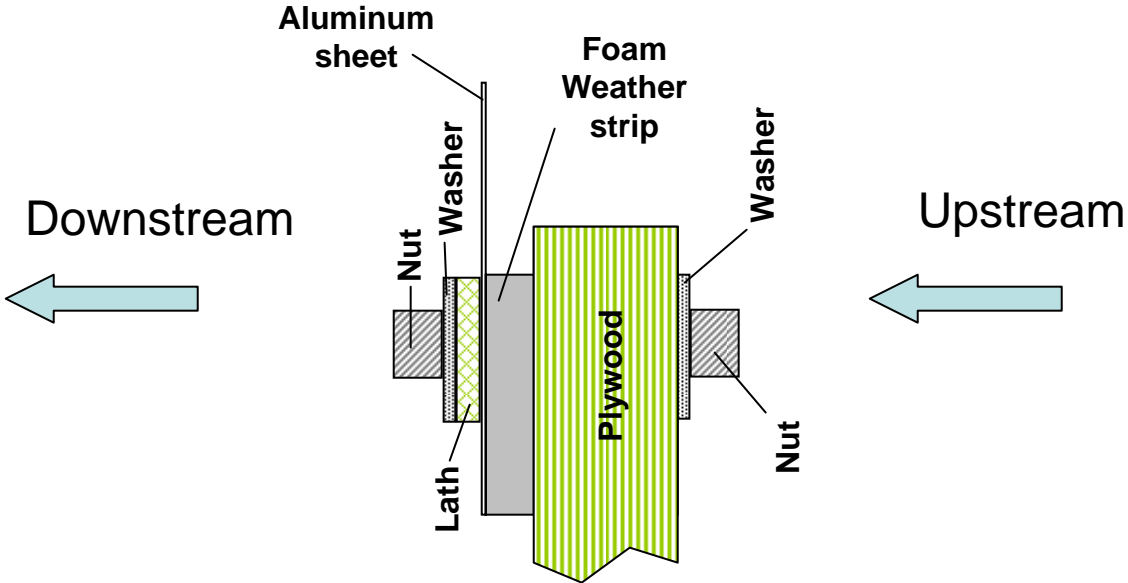
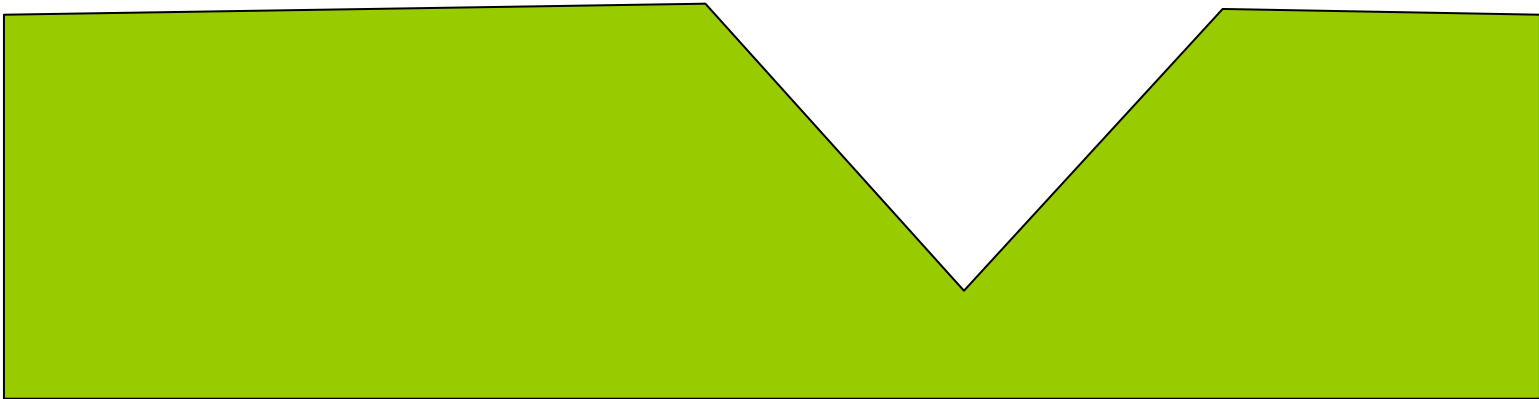
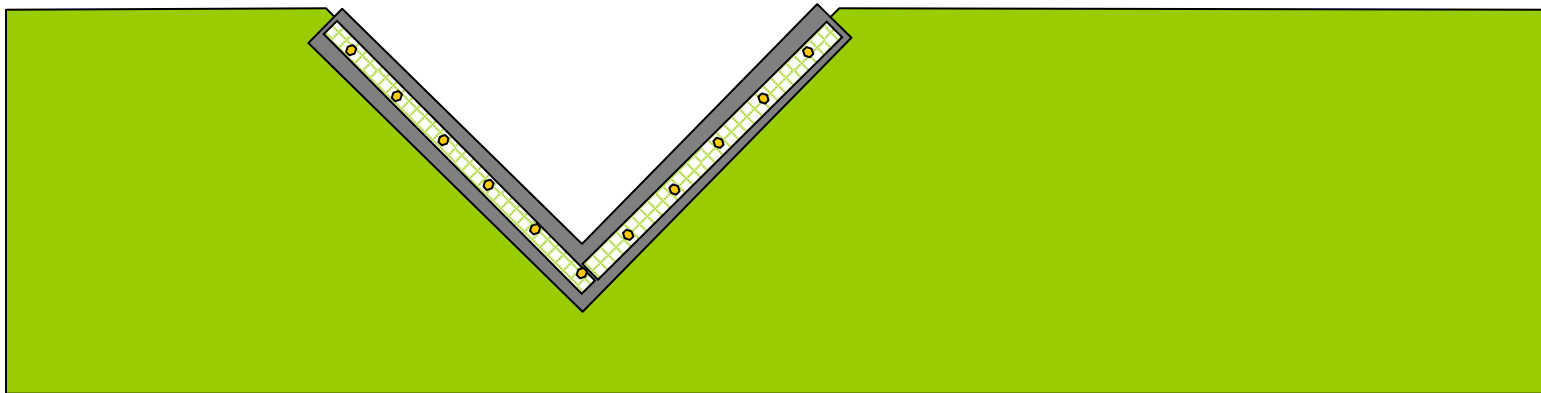
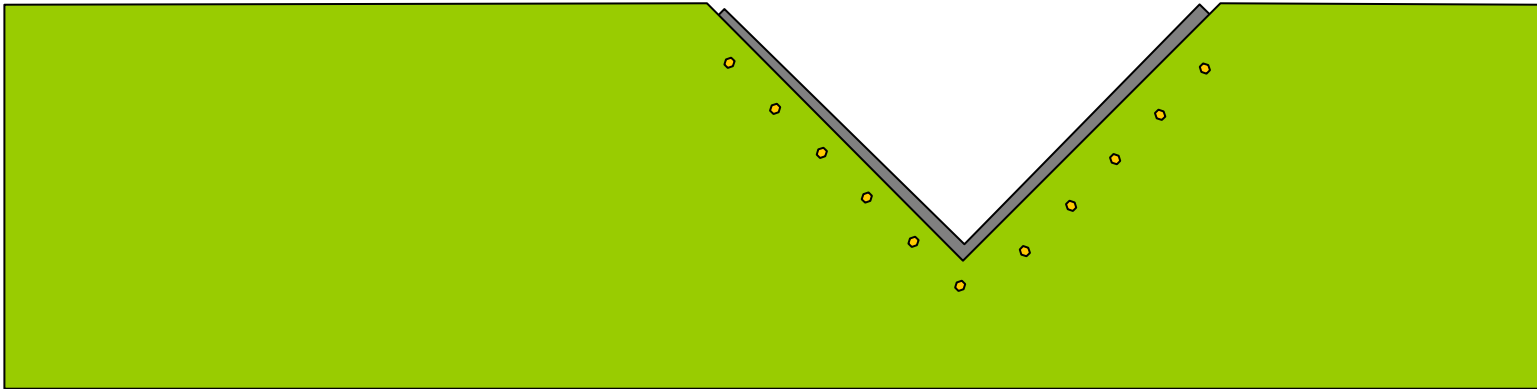


View from upstream – because of the channel morphology, in the particular stream we were working on the lowest point is a little to the right.



View from upstream



View from downstream